

**The Director of the United States
Patent and Trademark Office**

Has received an application for a patent for a new and useful invention. The title and description of the invention are enclosed. The requirements of law have been complied with, and it has been determined that a patent on the invention shall be granted under the law.

Therefore, this

United States Patent

Grants to the person(s) having title to this patent the right to exclude others from making, using, offering for sale, or selling the invention throughout the United States of America or importing the invention into the United States of America, and if the invention is a process, of the right to exclude others from using, offering for sale or selling throughout the United States of America, or importing into the United States of America, products made by that process, for the term set forth in 35 U.S.C. 154(a)(2) or (c)(1), subject to the payment of maintenance fees as provided by 35 U.S.C. 41(b). See the Maintenance Fee Notice on the inside of the cover.



Acting Director of the United States Patent and Trademark Office

The
United
States
of
America





US008622251B2

(12) **United States Patent**
Oren

(10) **Patent No.:** **US 8,622,251 B2**
(45) **Date of Patent:** **Jan. 7, 2014**

(54) **SYSTEM OF DELIVERING AND STORING PROPPANT FOR USE AT A WELL SITE AND CONTAINER FOR SUCH PROPPANT**

(76) Inventor: **John Oren**, Houston, TX (US)

(*) Notice: Subject to any disclaimer, the term of this patent is extended or adjusted under 35 U.S.C. 154(b) by 26 days.

(21) Appl. No.: **13/427,140**

(22) Filed: **Mar. 22, 2012**

(65) **Prior Publication Data**
US 2013/0164112 A1 Jun. 27, 2013

Related U.S. Application Data

(63) Continuation-in-part of application No. 13/332,937, filed on Dec. 21, 2011.

(51) **Int. Cl.**
B65G 65/00 (2006.01)

(52) **U.S. Cl.**
USPC 222/185.1; 222/462; 222/561

(58) **Field of Classification Search**
USPC 222/185.1, 462, 460, 561; 220/260; 414/802, 800
See application file for complete search history.

(56) **References Cited**

U.S. PATENT DOCUMENTS

2,616,758 A * 11/1952 Meyers 298/7
2,865,521 A 12/1958 Fisher et al.

3,090,527 A *	5/1963	Rensch	222/610
3,248,026 A *	4/1966	Kemp	406/130
3,397,654 A *	8/1968	Snyder	105/305
4,138,163 A	2/1979	Calvert et al.	
4,247,228 A	1/1981	Gray et al.	
4,449,861 A *	5/1984	Saito et al.	406/39
4,608,931 A *	9/1986	Ruhmann et al.	105/248
4,909,556 A	3/1990	Koskinen	
4,995,522 A	2/1991	Barr	
5,613,446 A *	3/1997	DiLuigi et al.	105/282.2
5,690,466 A	11/1997	Gaddis et al.	
6,401,983 B1	6/2002	McDonald et al.	
7,240,681 B2	7/2007	Saik	
7,967,161 B2	6/2011	Townsend	
2008/0179054 A1	7/2008	McGough et al.	
2009/0078410 A1*	3/2009	Krenek et al.	166/244.1
2012/0138630 A1*	6/2012	Kinsey et al.	222/1

* cited by examiner

Primary Examiner — Paul R Durand

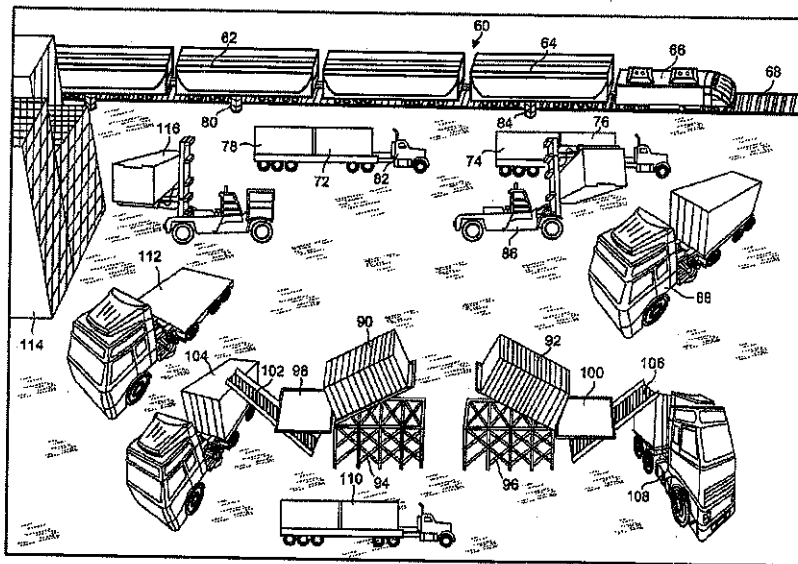
Assistant Examiner — Donnell Long

(74) *Attorney, Agent, or Firm* — Egbert Law Offices, PLLC

(57) **ABSTRACT**

A method of delivering proppant to a well site has the steps of transporting a load of proppant in a vessel to a desired location, moving the load of proppant from the vessel into a container so as to create a proppant-loaded container, unloading the proppant-loaded container into a pneumatic bulk trailer, and transporting the unloaded proppant in the pneumatic bulk trailer to well site. The container is placed onto a bed of a truck and moved in proximity to the vessel. The proppant-loaded container is placed onto a tilting mechanism and then tilted so that the proppant is discharged through a flow gate of a container into a hopper. The proppant in the hopper can then be conveyed to the pneumatic bulk trailer.

8 Claims, 2 Drawing Sheets



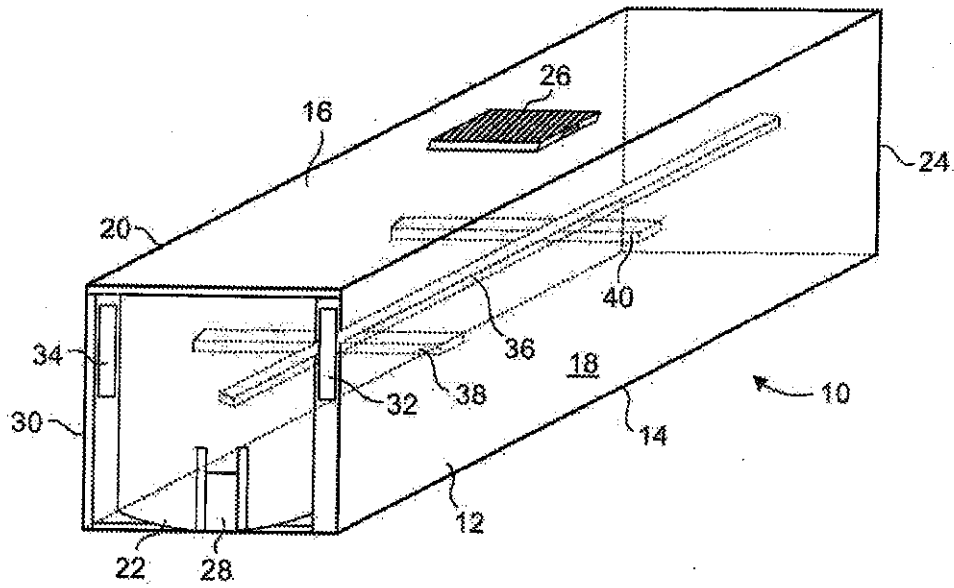


FIG. 1

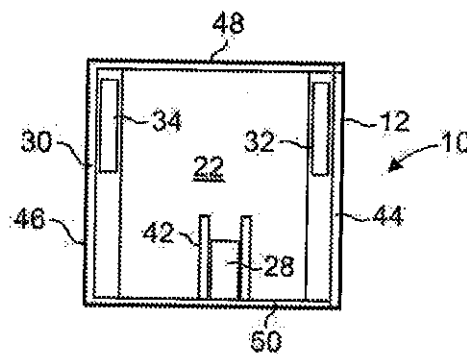


FIG. 2

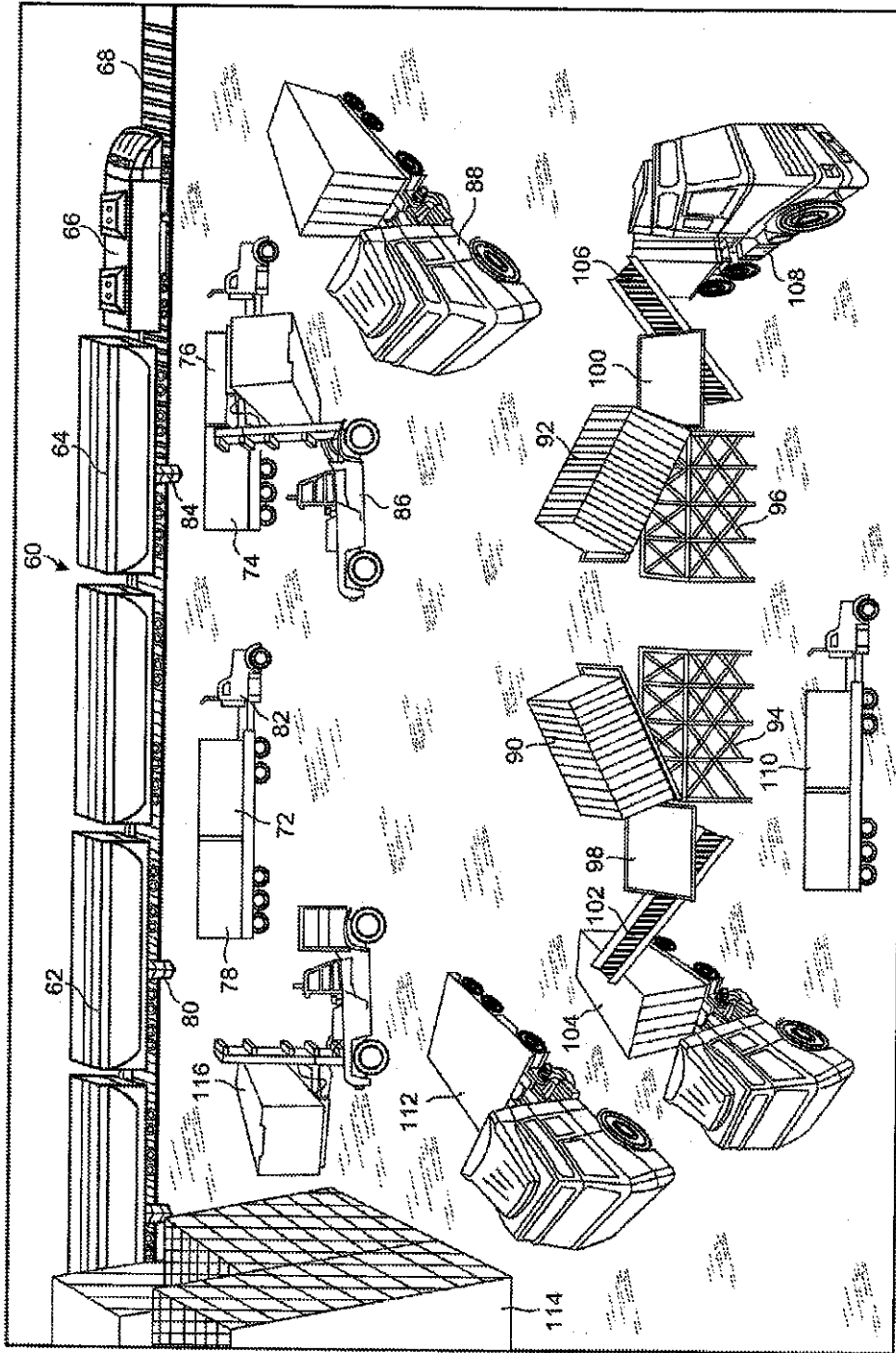


FIG. 3